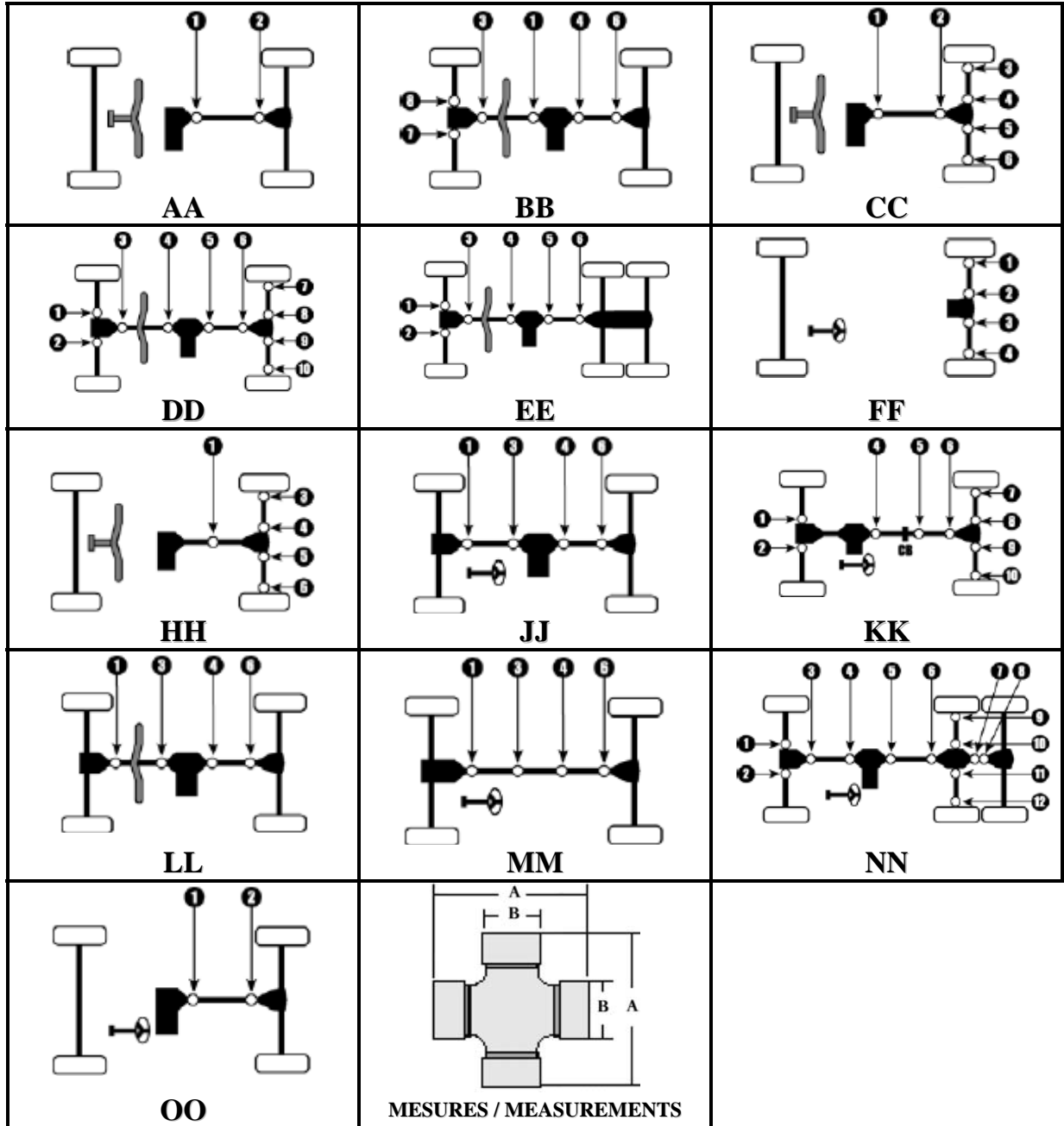


JOINT UNIVERSEL / U-JOINT

DIAGRAMMES / DIAGRAMS



MESURES / MEASUREMENTS							
#Pièce/Part#	A	B	Snap Ring	#Pièce/Part#	A	B	Snap Ring
UJ200	2.25"	0.78"	INT.	UJ500	2.28"	0.94"	INT.
UJ201	2.51"	0.98"	INT.	UJ501	2.13"	0.87"	EXT.
UJ202	2.24"	0.79"	INT.	UJ502	2.63"	1.06"	INT.
UJ400	2.54"	0.99"	INT.	UJ503	3.17"	1.00"	INT.
UJ401	2.03"	0.79"	INT.	UJ600	2.51"	1.00"	INT.
UJ402	2.00"	0.79"	INT.	UJ601	2.24"	0.79"	INT.
UJ403	2.00"	0.79"	INT.	UJ602	1.82"	0.75"	EXT.
UJ404	2.23"	0.87"	INT.	UJ700	1.56"	0.64"	INT.
UJ405	2.23"	0.79"	INT.	UJ701	2.00"	0.79"	INT.
UJ406	2.02"	0.75"	INT.	UJ702	2.00"	0.87"	INT.
UJ407	2.26"	0.79"	INT.	UJ703	2.28"	0.94"	INT.
				UJ704	2.50"	0.99"	INT.

JOINT UNIVERSEL / U-JOINT

MODÈLE / MODEL	ANNÉE / YEAR	DESCRIPTION	DIA.	POS.	#PIÈCE/ PART#
ARCTIC CAT					
250 2X4	2006-08		HH	1	UJ602
250 4X4	2001-05		BB	1	UJ600
300 4X4	1998-2005		BB	1	UJ600
375 4X4	2002		BB	1	UJ601
400 4X4	1998-2002		BB	1	UJ600
400 4X4	2003-04		BB	1	UJ601
400 4X4 (exc.Value Package)	2005-06		BB	1	UJ601
400 4X4 (Value Package)	2005-06		BB	1,3	UJ601
400 4X4	2007-08		BB	1	UJ601
454 4X4	1996-98		BB	1	UJ600
500 4X4	1998-2002		BB	1	UJ600
500 4X4	2003-08		BB	1	UJ600
650 4X4	2004	Front drive shaft	LL	1,3	UJ601
650 4X4	2004	Rear drive shaft	LL	4,6	UJ600
650 4X4 H1	2005-06	Secondary drive shaft	BB	1	UJ601
650 4X4 V2	2005-06	Front drive shaft	LL	1,3	UJ601
650 4X4 V2	2005-06	Rear drive shaft	LL	4,6	UJ600
650 4X4	2007-08		BB	4	UJ601
650 Prowler XT	2006	Front drive shaft	MM	1	UJ601
650 Prowler XT	2006	Rear drive shaft	MM	6	UJ600
650 Prowler XT	2006	Secondary drive shaft	MM	3	UJ600
650 Prowler 4X4	2007-08		MM	6	UJ603
650 Prowler 4X4	2007-08		MM	4	UJ603
700 4X4	2007-08	Front drive shaft	BB	1,3	UJ601
BRP / CAN-AM					
330 Outlander 2X4	2004-05		AA	1,2	UJ505
330 Outlander 4X4	2004-05		LL	4,6	UJ505
400 Outlander 2X4	2003-05		AA	1,2	UJ505
400 Outlander 4X4	2003-07		LL	4,6	UJ505
500 Outlander 4X4	2007		LL	3	UJ505
500 Outlander 4X4	2007		LL	4,6	UJ800
500 Quest 4X4	2002-03		LL	1,3,4	UJ505
500 Quest 4X4	2004		LL	4	UJ505
500 Renegade 4X4	2008		LL	3	UJ505
500 Renegade 4X4	2008		LL	4,6	UJ800
650 Quest 4X4	2002-03		LL	1,3	UJ505
650 Quest 4X4	2002-03		LL	4	UJ800
650 Quest 4X4	2004		LL	4	UJ800
650 Outlander	2006-07		LL	3	UJ505
800 Outlander 4X4	2006-07		LL	3	UJ505
800 Outlander 4X4	2006-07		LL	4,6	UJ800
800 Renegade 4X4	2007-08		LL	3	UJ505
800 Renegade 4X4	2007-08		LL	4,6	UJ800
Traxter 4X4	1999-2004		LL	1,3,4	UJ505
KAWASAKI					
300 Bayou 4X4	1989-2004	Front prop shaft	LL	1,3	UJ700
300 Prairie 2X4	1999-2002		AA	2	UJ702
300 Prairie 4X4	1999-2002	Front prop shaft	LL	1,3	UJ701
300 Prairie 4X4	1999-2002	Rear prop shaft	LL	4	UJ702
360 Prairie 2X4	2003-08		AA	2	UJ703
360 Prairie 4X4	2003-08		LL	4	UJ703
400 Prairie 2X4	1998-2002		AA	2	UJ702
400 Prairie 4X4	1997-2002	Front prop shaft	LL	1,3	UJ701
400 Prairie 4X4	1997-2002	Rear prop shaft	LL	4	UJ702

JOINT UNIVERSEL / U-JOINT

MODÈLE / MODEL	ANNÉE / YEAR	DESCRIPTION	DIA.	POS.	#PIÈCE/ PART#
KAWASAKI					
650 Brute Force 4X4	2005-08		LL	4	UJ703
650 Prairie 4X4	2002-03		LL	4	UJ703
700 KFX 2X4	2004-08		AA	2	UJ703
700 Prairie 4X4	2004-06		LL	4	UJ703
MULE 610 4X4 (C6F-C1)	2005-07	Front prop shaft	DD	3,4	UJ702
MULE 610 4X4 (C6F-C1)	2005-07	Rear prop shaft	DD	5,6	UJ702
MULE 610 4X4 (A6F-A1)	2005-07	Front prop shaft	DD	3,4	UJ702
MULE 610 4X4 (A6F-A1)	2005-07	Rear prop shaft	DD	5,6	UJ702
MULE 1000 2X4	1988		KK	7,10	UJ702
MULE 2500 2X4 (C6-C1)	1994-2000		KK	7,8,9,10	UJ704
MULE 2510 4X4 (A1-A5)	1993-99	Front shaft	KK	1,2	UJ700
MULE 2510 4X4 (A1-A5)	1993-99	Prop shaft	KK	4,5,6	UJ702
MULE 2510 4X4 (A1-A5)	1993-99	Rear shaft	KK	7,8,9,10	UJ704
MULE 2510 4X4 A6	2000-02	Prop shaft	KK	4,5,6	UJ702
MULE 2510 4X4 A6	2000-02	Rear shaft	KK	7,8,9,10	UJ704
MULE 2520 2X4	1993-2000		FF	1,2,3,4	UJ704
MULE 3000 2X4 (G6F-G1)	2001-07		FF	1,2,3,4	UJ704
MULE 3010 4X4	2001-08	B6F-B1,E6F-E1,H6F-H1,K6F-K1	KK	4,5,6	UJ702
MULE 3010 4X4	2001-08	B6F-B1,E6F-E1,H6F-H1,K6F-K1	KK	7,8,9,10	UJ704
MULE 3020 2X4	2001-03		FF	1,2,3,4	UJ704
POLARIS					
250 4X4	1990		BB	7,8	UJ500
250 4X4	1993		BB	7,8	UJ500
250 6X6	1993		EE	1,2	UJ500
300 4X4	1994		BB	7,8	UJ500
300 4X4	1995		BB	7,8	UJ501
300 4X4	1996		BB	7,8	UJ500
300 6X6	1994		EE	1,2	UJ500
350L 4X4	1990		BB	7,8	UJ500
350L 4X4	1993		BB	7,8	UJ500
350L 6X6	1993		EE	1,2	UJ500
400 4X4	1994		BB	7,8	UJ500
400 6X6	1994		EE	1,2	UJ500
400 6X6	1995	W/INSIDE LOCK RINGS	EE	1,2	UJ500
400 6X6	1995	W/OUTSIDE LOCK RINGS	EE	1,2	UJ501
ATP 330 4X4	2004-05	Front prop shaft	BB	1,3	UJ500
ATP 330 4X4	2004-05	Rear prop shaft	BB	4	UJ501
ATP 330 4X4	2004	Front axles	BB	7,8	UJ500
ATP 500 H.O. 4X4	2004-05	Front prop shaft	BB	1,3	UJ500
ATP 500 H.O. 4X4	2004-05	Rear prop shaft	BB	4	UJ501
ATP 500 H.O. 4X4	2004	Front axles	BB	7,8	UJ500
ATV Pro 500	2002	Front prop shaft	BB	1,3	UJ500
ATV Pro 500	2002	Rear prop shaft	BB	4	UJ500
Big Boss 250 6X6	1991-92		EE	1,2	UJ500
Big Boss 400L 6X6	1997		EE	1,2	UJ501
Big Boss 500 6X6	1998-99		EE	1,2	UJ501
Diesel 455 4X4	2001	Front axles W/Inside Lock Rings	DD	1,2	UJ500
Diesel 455 4X4	2001	Front axles W/Outside Lock Rings	DD	1,2	UJ501
Diesel 455 4X4	2001	Prop shaft (From 12/07/00)	DD	3,4	UJ500
Diesel 455 4X4	1999-2000	Front axles	DD	1,2	UJ501
Diesel 455 4X4	1999	Prop shaft	DD	3,4	UJ500
Diesel 455 4X4	1999	Rear axles	DD	7,10	UJ502
Diesel 455 4X4	1999	Rear axles	DD	8,9	UJ503
LUH 500 6X6	2002	Front axles	EE	1,2	UJ500
LUH 500 6X6	2002	Prop shaft	EE	3,4	UJ500

JOINT UNIVERSEL / U-JOINT

MODÈLE / MODEL	ANNÉE / YEAR	DESCRIPTION	DIA.	POS.	#PIÈCE/ PART#
POLARIS					
Magnum 325 2X4	2000-02	Rear prop shaft	AA	1	UJ500
Magnum 325 4X4	2001-02	Front axles exc.HDS (Visco lok)	DD	1,2	UJ501
Magnum 325 4X4	2001-02	Front prop shaft exc.HDS (Visco lok)	DD	3,4	UJ500
Magnum 325 4X4	2001-02	Rear prop shaft	DD	5	UJ500
Magnum 325 4X4	2000	Front axles	BB	7,8	UJ501
Magnum 325 4X4	2000	Front prop shaft	BB	1,3	UJ500
Magnum 325 4X4	2000	Rear prop shaft	BB	4	UJ500
Magnum 330 4X4	2003-06	Front prop shaft	BB	1,3	UJ500
Magnum 330 4X4	2003-06	Rear prop shaft	BB	4	UJ501
Magnum 330 4X4	2003-04	Front axles exc.HDS (Visco lok)	DD	7,8	UJ500
Magnum 330 2X4	2003-05	Rear prop shaft	AA	1	UJ501
Magnum 425 4X4	1997-98		BB	7,8	UJ501
Magnum 425 6X6	1997		EE	1,2	UJ501
Magnum 425 4X4	1995-96	W/INSIDE LOCK RINGS	BB	7,8	UJ500
Magnum 425 4X4	1995-96	W/OUTSIDE LOCK RINGS	BB	7,8	UJ501
Magnum 425 6X6	1996	W/INSIDE LOCK RINGS	EE	1,2	UJ500
Magnum 425 6X6	1996	W/OUTSIDE LOCK RINGS	EE	1,2	UJ501
Magnum 500 4X4	1999-2003	Front prop shaft	BB	1,3	UJ500
Magnum 500 4X4	2001-03	Rear prop shaft	BB	4	UJ501
Magnum 500 4X4	2001-02	Front axles exc.HDS (Visco lok)	BB	7,8	UJ501
Magnum 500 4X4	2001	Front prop shaft exc.HDS (Visco lok)	BB	1,3	UJ500
PTV 4X4 SERIES 10PPS	2002	Front prop shaft	BB	1,3	UJ500
PTV 4X4 SERIES 10PPS	2002	Rear prop shaft	BB	4	UJ500
PTV 6X6 SERIES 10PPS	2002	Front axles	NN	1,2	UJ500
PTV 6X6 SERIES 10PPS	2002	Front prop shaft	NN	3,4	UJ500
Ranger 2X4	2002-06		OO	1,2	UJ500
Ranger 4X4	2002-06	Front prop shaft	JJ	1,3	UJ500
Ranger 4X4	2002-06	Rear prop shaft	JJ	4,6	UJ500
Ranger 4X4	2002-04	Front axles	JJ	7,8	UJ500
Ranger 6X6	2002-06	Coupler shaft	NN	7,8	UJ500
Ranger 6X6	1999-2006	Front prop shaft	NN	3,4	UJ500
Ranger 6X6	1999-2006	Rear prop shaft	NN	6	UJ500
Ranger 6X6	1999-2005	Front axles	NN	1,2	UJ500
Ranger 6X6	1999-2005	Middle axles	NN	9,10	UJ502
Ranger 6X6	1999-2005	Middle axles	NN	11,12	UJ502
Ranger TM 2X4	2004-06		OO	1,2	UJ500
Ranger XP 4X4	2005-06	Rear prop shaft	JJ	4,6	UJ500
Ranger XP 4X4	2002	Front prop shaft	JJ	1,3	UJ500
Scrambler 400 4X4	1998-2002	Front axles W/Inside Lock Rings	BB	7,8	UJ500
Scrambler 400 4X4	1998-2002	Front axles W/Outside Lock Rings	BB	7,8	UJ501
Scrambler 400 4X4	1998-2002	Prop shaft	BB	1,3	UJ500
Scrambler 400 4X4	1995-97	W/INSIDE LOCK RINGS	BB	7,8	UJ500
Scrambler 400 4X4	1995-97	W/OUTSIDE LOCK RINGS	BB	7,8	UJ501
Scrambler 500 4X4	1997-2006	Front axles	BB	7,8	UJ501
Scrambler 500 4X4	1998-2006	Prop shaft	BB	1,3	UJ500
Sportsman 335 4X4	1999-2000	Front axles	DD	1,2	UJ501
Sportsman 335 4X4	1999-2000	Prop shaft	DD	3,4	UJ502
Sportsman 335 4X4	1999-2000	Rear axles	DD	7,10	UJ502
Sportsman 335 4X4	1999-2000	Rear axles	DD	8,9	UJ503
Sportsman 400 4X4	2001-05	Prop shaft	BB	1,3	UJ500
Sportsman 400 4X4	2002-04	Front axles	BB	7,8	UJ500
Sportsman 400 4X4	2001	Front axles	BB	7,8	UJ501
Sportsman 400 4X4	1997	Front axles	BB	7,8	UJ501
Sportsman 400 4X4	1995-96	W/INSIDE LOCK RINGS	BB	7,8	UJ500
Sportsman 400 4X4	1995-96	W/OUTSIDE LOCK RINGS	BB	7,8	UJ501
Sportsman 400 4X4	1993-94	Front axles	BB	7,8	UJ500

JOINT UNIVERSEL / U-JOINT

MODÈLE / MODEL	ANNÉE / YEAR	DESCRIPTION	DIA.	POS.	#PIÈCE/ PART#
POLARIS					
Sportsman 450 4X4	2006	Front prop shaft	BB	1,3	UJ500
Sportsman 500 4X4	2005-06	Front prop shaft	BB	1,3	UJ500
Sportsman 500 4X4	2002-04	Front axles	BB	7,8	UJ500
Sportsman 500 4X4	1999-2001	Front axles	BB	7,8	UJ501
Sportsman 500 4X4	1998	Front axles	DD	1,2	UJ501
Sportsman 500 4X4	1997	Front axles	DD	1,2	UJ500
Sportsman 500 4X4	1996	W/INSIDE LOCK RINGS	DD	1,2	UJ500
Sportsman 500 4X4	1996	W/OUTSIDE LOCK RINGS	DD	1,2	UJ501
Sportsman 500 4X4	2004	Prop shaft W/Inside Lock Rings	BB	1,3	UJ500
Sportsman 500 4X4	2004	Prop shaft W/Outside Lock Rings	BB	1,3	UJ501
Sportsman 500 4X4	1999-2003	Prop shaft	BB	1,3	UJ500
Sportsman 500 4X4	1996-98	Prop shaft	DD	3,4	UJ500
Sportsman 500 4X4	1996	Rear axles	DD	7,10	UJ502
Sportsman 500 4X4	1996	Rear axles	DD	8,9	UJ503
Sportsman 600 4X4	2003-04	Front axles	BB	7,8	UJ500
Sportsman 600 4X4	2003-05	Front prop shaft	BB	1,3	UJ500
Sportsman 600 4X4	2003-05	Rear prop shaft	BB	4,6	UJ500
Sportsman 700 4X4	2002-04	Front axles	BB	7,8	UJ500
Sportsman 700 4X4	2002-06	Front prop shaft	BB	1,3	UJ500
Sportsman 700 4X4	2002-06	Rear prop shaft	BB	4,6	UJ500
Sportsman 800 4X4	2005-06	Front prop shaft	BB	1,3	UJ500
Sportsman 800 4X4	2005-06	Rear prop shaft	BB	4,6	UJ500
Sportsman MV7 4X4	2005	Front prop shaft	BB	1,3	UJ500
Sportsman MV7 4X4	2005	Rear prop shaft	BB	4,6	UJ500
Sportsman X2 4X4	2006	Front prop shaft	DD	3,4	UJ500
Trailboss 250 4X4	1987-92		DD	1,2	UJ500
Trailboss 350L 4X4	1990-92		DD	1,2	UJ500
UTV 2X4	2002-04		OO	1,2	UJ500
UTV 4X4	2002-04	Front axles	JJ	7,8	UJ500
UTV 4X4	2002-04	Front prop shaft	JJ	1,3	UJ500
UTV 4X4	2002-04	Rear prop shaft	JJ	4,6	UJ500
UTV 6X6	2003-04	Front axles	NN	1,2	UJ500
UTV 6X6	2003-04	Front prop shaft	NN	3,4	UJ500
UTV 6X6	2003-04	Middle axle	NN	9,10	UJ502
UTV 6X6	2003-04	Middle axle	NN	11,12	UJ502
UTV 6X6	2003-04	Rear prop shaft	NN	6	UJ500
Worker 335 4X4	1999	Front axles	DD	1,2	UJ501
Worker 335 4X4	1999	Prop shaft	DD	3,4	UJ500
Worker 335 4X4	1999	Rear axles	DD	7,10	UJ502
Worker 335 4X4	1999	Rear axles	DD	8,9	UJ503
Worker 500 4X4	1999	Front axles	DD	1,2	UJ501
Worker 500 4X4	1999	Prop shaft	DD	3,4	UJ501
Xpedition 325 4X4	2000-02	Front axles	BB	7,8	UJ501
Xpedition 325 4X4	2000-02	Front prop shaft	BB	1,3	UJ500
Xpedition 325 4X4	2000-02	Rear axles	BB	4	UJ500
Xpedition 425 4X4	2002	Front axles	BB	7,8	UJ500
Xpedition 425 4X4	2000-01	Front axles	BB	7,8	UJ501
Xpedition 425 4X4	2000-02	Front prop shaft	BB	1,3	UJ500
Xpedition 425 4X4	2000-02	Rear prop shaft	BB	4	UJ500
Xplorer 250 4X4	2000-02	Front axles	BB	7,8	UJ500
Xplorer 250 4X4	2000-02	Prop shaft	BB	1,3	UJ500
Xplorer 300 4X4	1996-99	Front axles	BB	7,8	UJ501
Xplorer 400 4X4	1999-2002	Front axles	BB	7,8	UJ500
Xplorer 400 4X4	1999-2002	Prop shaft	BB	1,3	UJ500
Xplorer 400 4X4	1997-98	Front axles	BB	7,8	UJ501
Xplorer 400 4X4	1995-96	Front axles W/Inside Lock Rings	BB	7,8	UJ500
Xplorer 400 4X4	1995-96	Front axles W/Outside Lock Rings	BB	7,8	UJ501

JOINT UNIVERSEL / U-JOINT

MODÈLE / MODEL	ANNÉE / YEAR	DESCRIPTION	DIA.	POS.	#PIÈCE/ PART#
POLARIS					
Xplorer 500 4X4	1997	Front axles	DD	1,2	UJ500
Xplorer 500 4X4	1997	Prop shaft	DD	3,4	UJ500
Xplorer 500 4X4	1997	Rear axles	DD	7,10	UJ502
SUZUKI					
250 Ozark 2X4	2002-06		HH	1	UJ405
250 Quad Sport 2X4	2004-06		HH	1	UJ405
250 Quad Runner 2X4	1988-94	Rear axles	HH	3,6	UJ402
250 Quad Runner 2X4	1988-94	Rear axles	HH	4,5	UJ404
250 Quad Runner 2X4	1995-2000	Rear axles	HH	3,6	UJ402
250 Quad Runner 2X4	2001	Rear axles	HH	3,6	UJ402
250 Quad Runner 2X4	2001	Rear axles	HH	4,5	UJ407
250 Quad Runner 4X4	1987	Rear axles	HH	3,6	UJ401
250 Quad Runner 4X4	1987	Rear axles	HH	4,5	UJ404
250 Quad Runner 4X4	1987-2000	Secondary drive	HH	1	UJ400
250 Quad Runner 4X4	1988-93	Rear axles	HH	3,6	UJ402
250 Quad Runner 4X4	1988-93	Rear axles	HH	4,5	UJ404
250 Quad Runner 4X4	1994-2000	Rear axles	HH	3,6	UJ402
250 Quad Runner 4X4	2001-02	Rear axles	HH	3,6	UJ402
250 Quad Runner 4X4	2001-02	Rear axles	HH	4,5	UJ407
250 Quad Runner 4X4	2001-02	Secondary drive	HH	1	UJ405
300 King Quad 4X4	1991-93	Rear axles	HH	3,6	UJ403
300 King Quad 4X4	1991-93	Rear axles	HH	4,5	UJ404
300 King Quad 4X4	1996-2000	Rear axles	HH	3,6	UJ403
300 King Quad 4X4	1996-2000	Secondary drive	HH	1	UJ407
300 King Quad 4X4	2001-02	Rear axles	HH	3,6	UJ403
300 King Quad 4X4	2001-02	Rear axles	HH	4,5	UJ407
300 King Quad 4X4	2001-02	Secondary drive	HH	1	UJ405
300 Quad Runner 4X4	1994	Rear axles	HH	3,6	UJ403
300 Quad Runner 4X4	1994	Rear axles	HH	4,5	UJ404
300 Quad Runner 4X4	1994-95	Secondary drive	HH	1	UJ400
300 Quad Runner 4X4	1995	Rear axles	HH	3,6	UJ403
400 Eiger 2X4	2002-04		HH	1	UJ405
400 Eiger 4X4	2002-06	Front bevel gear	LL	1	UJ405
400 Eiger 4X4	2002-06	Secondary drive	LL	4,6	UJ405
500 Quad Master 4X4	2000	Front bevel gear	LL	1	UJ400
500 Quad Master 4X4	2000	Secondary drive	LL	4	UJ400
500 Quad Master 4X4	2001	Front bevel gear	LL	1	UJ405
500 Quad Master 4X4	2001	Secondary drive	LL	4,6	UJ400
500 Quad Runner 4X4	1998-2000		LL	4	UJ400
500 Quad Runner 4X4	2001-02	Secondary drive	LL	4,6	UJ405
500 Quad Runner 4X4	2002	Front bevel gear	LL	1	UJ405
500 Vinson 2X4	2002-06	Front bevel gear	LL	1	UJ405
500 Vinson 4X4	2002-06	Secondary drive	LL	4	UJ405
500 Vinson 4X4	2002-06	Secondary drive	LL	6	UJ400
620 QUV 4X4	2005	Front prop shaft	KK	4	UJ702
620 QUV 4X4	2005	Rear axles	KK	7,8,9,10	UJ704
620 QUV 4X4	2005	Rear prop shaft	KK	5,6	UJ702
700 King Quad 4X4	2005-06	Front bevel gear	LL	3	UJ406
700 King Quad 4X4	2005-06	Secondary drive	LL	6	UJ400
700 Twin Peaks 4X4	2004-05		LL	4	UJ703

JOINT UNIVERSEL / U-JOINT

MODÈLE / MODEL	ANNÉE / YEAR	DESCRIPTION	DIA.	POS.	#PIÈCE/ PART#
YAMAHA					
250 Bear Tracker 2X4	1999-2004		AA	1	UJ201
250 Moto-4 2X4	1986-88		AA	1	UJ201
250 Moto-4 2X4	1989-97		AA	1	UJ201
250 Timberwolf 4X4	1994-2000	Front drive shaft	LL	1,3	UJ200
250 Timberwolf 4X4	1994-2000	Rear drive shaft	LL	4,6	UJ201
250 Timberwolf 2X4	1992-98		AA	1	UJ201
350 Big Bear 4X4	1987-99	Front drive shaft	LL	1,3	UJ200
350 Big Bear 4X4	1987-99	Rear drive shaft	LL	4,6	UJ201
350 Wolverine 4X4	1995-98	Front drive shaft	LL	1,3	UJ202
350 Wolverine 4X4	1995-98	Rear drive shaft	LL	4,6	UJ201
400 Kodiak	1998-99	Front drive shaft	LL	1,3	UJ202
400 Kodiak	1993-97	Front drive shaft	LL	1,3	UJ200
400 Kodiak	1993-97	Rear drive shaft	LL	4,6	UJ201
600 Grizzly	1998	Front drive shaft	LL	1,3	UJ200
600 Grizzly	1998	Rear drive shaft	LL	4,6	UJ201